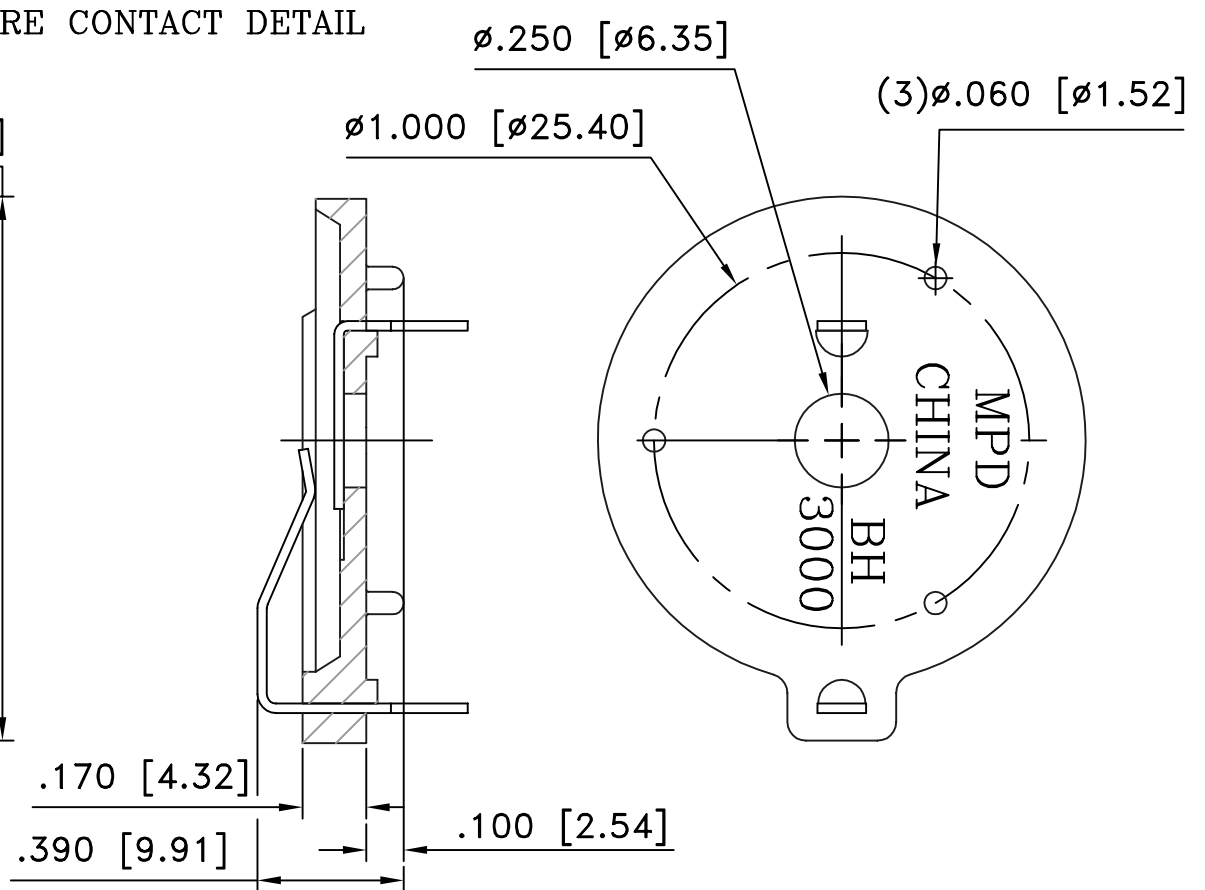
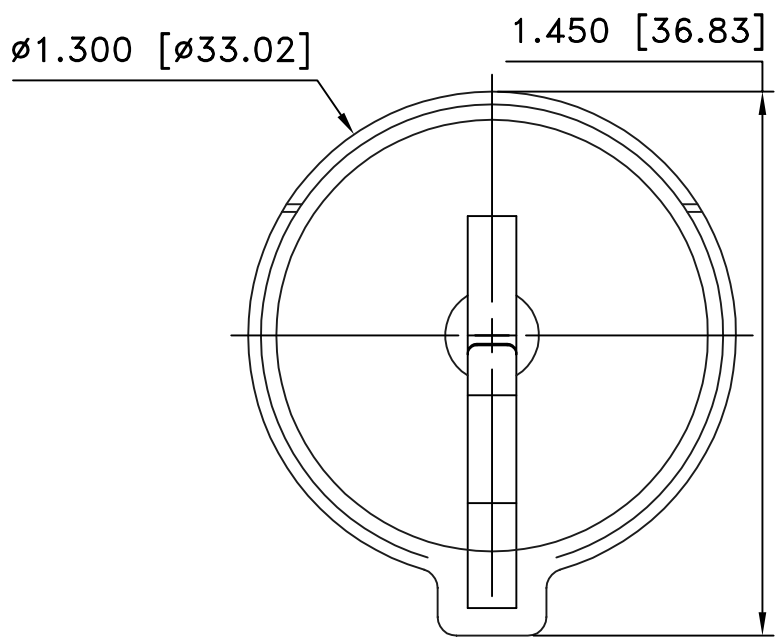
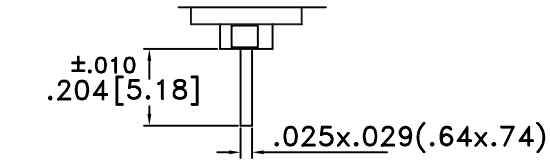
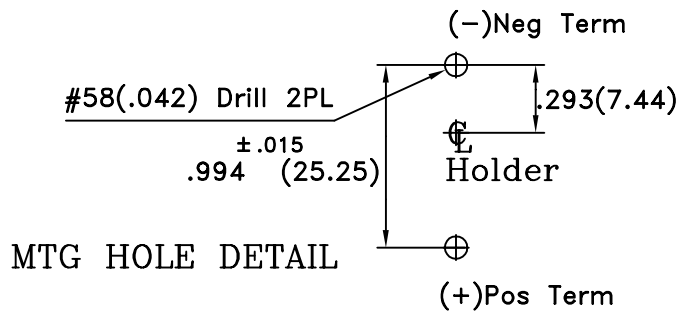



Date	SYM	REVISION RECORD	AUTH	DR.	CK.
06/21/03	A	CHINA WAS KOREA	T.B.	B.S.	
05/21/05	B	ADDED "LEAD FREE" IN SPECIFICATIONS	T.B.	B.S.	
10/22/05	C	ADDED "ROHS COMPLIANT"	T.B.	B.S.	



SPECIFICATIONS

- *Holder material—thermoplastic, black PBT
 - *Flammability rating—UL94V-0, File No.88499(M)
 - *Contacts—302 spring temper stainless steel nickel plated overall, Lead Free
 - *Dielectric strength—560volts/mil at 25°C for 5seconds
 - *Temperature range— -55° to +180°C
 - *Resistance to solvents—Xylene,ethyl,butyl,methyl&proptl alcohol;ethyl acetate,heptane;toluene;refrigerant
- ROHS COMPLIANT

Tolerance (Except as noted)		Memory protection Devices, Inc	
		200 Broad Hollow Road, Farmingdale, New York 11735	
decimal	±.5 (.020)	Scale	2=1
Fractional	± .8 (.030)	Title	CR3032 BATTERY HOLDER, 30MMx3.2MM THICK
Angular	± 3°	Date	10/22/05
		Drawing Number	BH3000
		Drawn By	T.S.
		Approved By	T.B.